

KEY FEATURES

- 1,4" (36 mm) high frequency compression driver.
- 1,75" (44,4 mm) voice coil diameter.
- 140 W program power above 1,2 kHz.
- Sensitivity: 110 dB, 2,83 V @ 1 m.
- PM-4 polymer diaphragm.
- Ultra lightweight edgewound aluminium voice coil.
- Aluminium cover.
- Ferrite magnet.

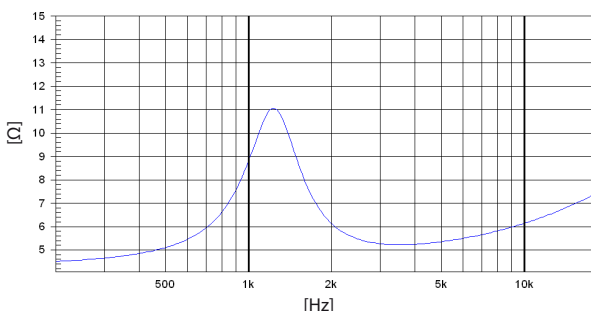
TECHNICAL SPECIFICATIONS

Throat diameter	36 mm	1,4 in
Rated impedance		8 Ω
Minimum impedance	5,2 Ω @ 3,5 kHz	
D.C. resistance		4,3 Ω
Power capacity*	70 W _{AES} above 1,2 kHz	
Program power	140 W above 1,2 kHz	
Sensitivity**	110 dB 2.83v @ 1m	
	coupled to TD-365	
Frequency range		0,7 - 19 kHz
Recommended crossover	1,2 kHz or higher (12 dB/oct min.)	
Voice coil diameter	44,4 mm	1,75 in
Magnetic assembly weight	1,86 kg	4,1 lb
Flux density		1,65 T
BL factor		6,6 N/A

MOUNTING INFORMATION

Overall diameter	120 mm	4,72 in
Depth	65 mm	2,56 in
Mounting	Four M5 threaded holes, 90° apart on 101,6 mm (4") diameter circle	
Net weight	2,04 kg	4,5 lb
Shipping weight	2,74 kg	6,04 lb

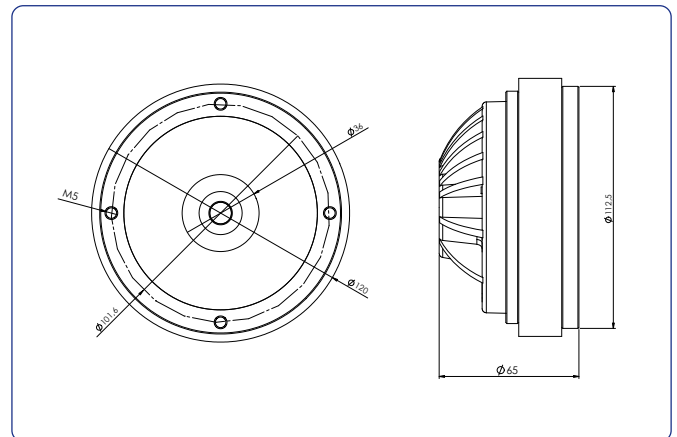
FREE AIR IMPEDANCE CURVE



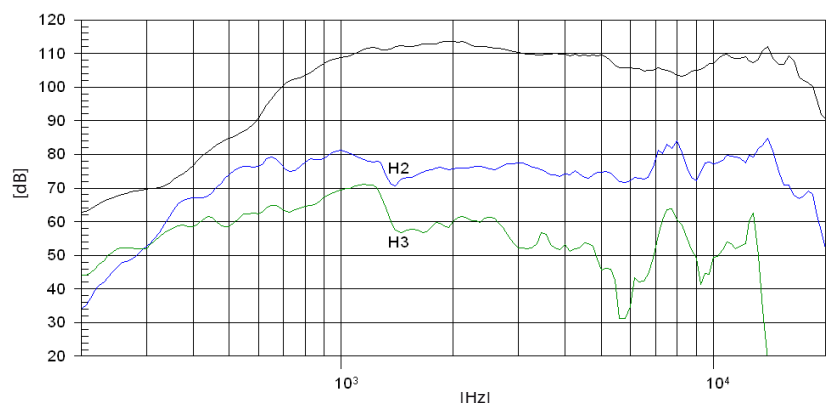
Note: Electrical impedance measured coupled to TD-365 horn



DIMENSION DRAWINGS



FREQUENCY RESPONSE AND DISTORTION



Note: On axis frequency response measured coupled to TD-365 horn in anechoic chamber, 2,83 v @ 1m

Notes:

* The power capacity is determined according to AES2-1984 (r2003) standard. Program power is defined as the transducer's ability to handle normal music program material.

** Sensitivity was measured at 1m distance, on axis, with 2,83 V input, averaged in the range 1 - 7 kHz.